



SUA-110P6x-x-S235

SHELL : _____

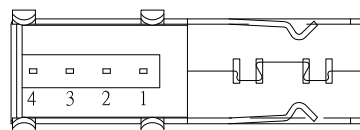
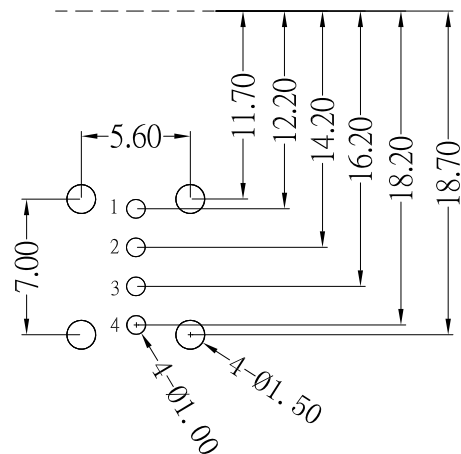
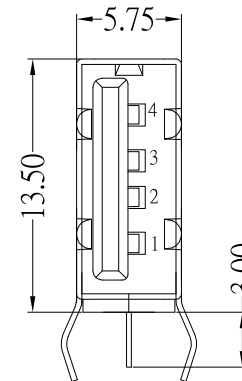
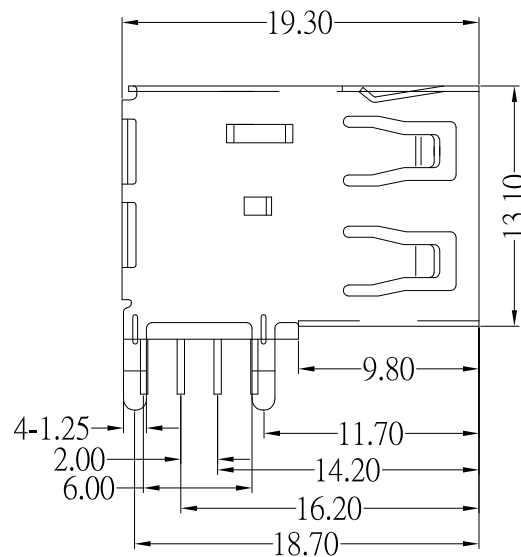
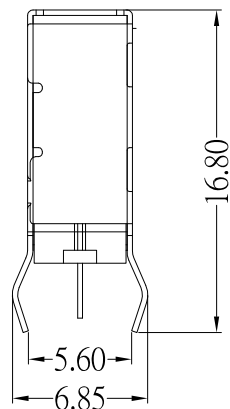
COLOR :

Blank : BRASS

Black: B

I : SPCC

White : W



SPECIFICATIONS

Electrical:

1. Dielectric Withstanding Voltage: AC 500 V
2. Insulation Resistance: 1,000 MΩ Min
3. Contact Resistance: 30 mΩ Max

Material:

1. Housing: PBT ,UL94V-0
2. Terminal: Phosphor Bronze
3. Shell: Brass / Spcc

Finish:

1. Contact: Plated Gold in Mating Area ;
Tin Plated on Solder Balls
Nickel under plated overall
2. Shell: Nickel under Plated surface layer

PCB LAYOUT MOUNTING PATTERN

4	新增尺寸	Jack	012418
3	更新尺寸	Jack	110716
2	更新外型樣式	Jack	051116
1	新增pin編號	Jack	030916
ITEM NO.	DESCRIPTION	DRAWN	DATE



TOLERANCE UNLESS OTHERWISE STATED :

Up to 5 ±0.2
Above 5 ~ 15 ±0.3
Above 15 ~ 30 ±0.4
Above 30 ~ 50 ±0.5
Angle ±0.3°

3RD. ANGEL'S



UNITS MM

DRAWN BY:	DATE	MAT'L	TITLE	CONNECTOR
Jack Lu	01/24/18			
CHECKED BY:	DATE	FINISH	MODLE	USB A/F 側插無捲邊有後蓋
Jacky Chen	01/24/18			
APPROVED BY:	DATE	SCALE	DWG NO.	SUA-110P6x-x-S235
Tony Kao	01/24/18	1 : 1	PART NO.	SUA-110P6x-x-S235
		SHEET NO.	1 of 1	
				SIZE A4
				VER R4